



AdaptaBeacon® Division 2 Strobes

**Diode Polarized
NEMA Type 3R & 4 Rated**

107DDV2(†)ST-G1 Series

FEATURES

- > Bracket, ceiling or pendant mount
- > Diode polarized for use in electrically supervised circuits
- > High impact glass dome
- > Dome guard (optional)
- > 65 flashes per minute

Edwards AdaptaBeacon Strobe Lights are designed for installation in Division 2 environments. Rigid specifications and state-of-the-art technology provide for high visual output and low maintenance. The units are UL Listed for Type 3R and Type 4 installations. Models are available for pendant, wall and ceiling mounting.

Designed for hazardous location installation on 3/4" (19mm) conduit. May be mounted in any orientation.

AGENCY APPROVALS

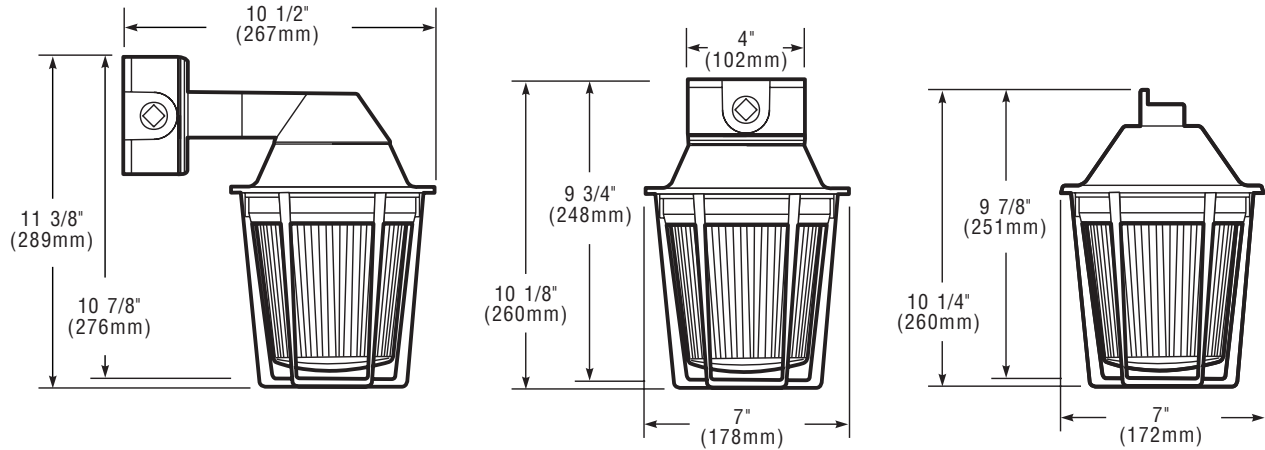
- > UL 1638 and 1604 Listed
- > cUL Listed C22.2 No. 205
- > NEMA Type 3R & Type 4 Rated
- > UL Listed Class I, Div. 2

Typical industrial and commercial applications include: food processing plants, refineries, mines, tankers, laboratories, sewage treatment plants, water and filtration plants, and chemical plants.

† Insert "B" for bracket, "C" for ceiling, or "P" for pendant mount



TECHNICAL INFORMATION



Cat. No.	Lens Color	Mounting	Electrical Rating	Replacement Dome	Replacement Inner Lens	Optional Dome Guard	Replacement Strobe Tube	Peak Candlepower
107DDV2BSTR-G1	Red	Bracket	24V DC 1.4 Amp	EDVPGL1HR	96-LR	EDVPGU1	92-ST 3,000 hr*	800,000
107DDV2BSTA-G1	Amber				96-LA			
107DDV2BSTB-G1	Blue				96-LB			
107DDV2BSTG-G1	Green				96-LG			
107DDV2BSTM-G1	Magenta				96-LM			
107DDV2BSTC-G1	Clear				96-LC			
107DDV2CSTR-G1	Red	Ceiling	24V DC 1.4 Amp	EDVPGL1HR	96-LR	EDVPGU1	92-ST 3,000 hr*	800,000
107DDV2CSTA-G1	Amber				96-LA			
107DDV2CSTB-G1	Blue				96-LB			
107DDV2CSTG-G1	Green				96-LG			
107DDV2CSTM-G1	Magenta				96-LM			
107DDV2CSTC-G1	Clear				96-LC			
107DDV2PSTR-G1	Red	Pendant	24V DC 1.4 Amp	EDVPGL1HR	96-LR	EDVPGU1	92-ST 3,000 hr*	800,000
107DDV2PSTA-G1	Amber				96-LA			
107DDV2PSTB-G1	Blue				96-LB			
107DDV2PSTG-G1	Green				96-LG			
107DDV2PSTM-G1	Magenta				96-LM			
107DDV2PSTC-G1	Clear				96-LC			

*Calculated at operating power to 75% efficiency.

HAZARDOUS LOCATION LISTINGS

Class	Division	Group	Ambient Temperature	Operating Temperature Code
I	2	A,B,C,D	104F (40C)	T2 (300C, 572F)
			131F (55C)	T1 (450C, 842F)
			149F (65C)	T1 (450C, 842F)
II**	1 and 2**		104F (40C)	T4A (120C, 248F)
III**	1 and 2**		131F (55C)	T4 (135C, 275F)
			149F (65C)	T3C (160C, 320F)

**Pendant mount models only. Pendant mount models are also listed for use in Class II, Division 1, Groups E, F and G, Class II, Division 2, Groups F and G and Class III, Division 1 and 2 hazardous locations.